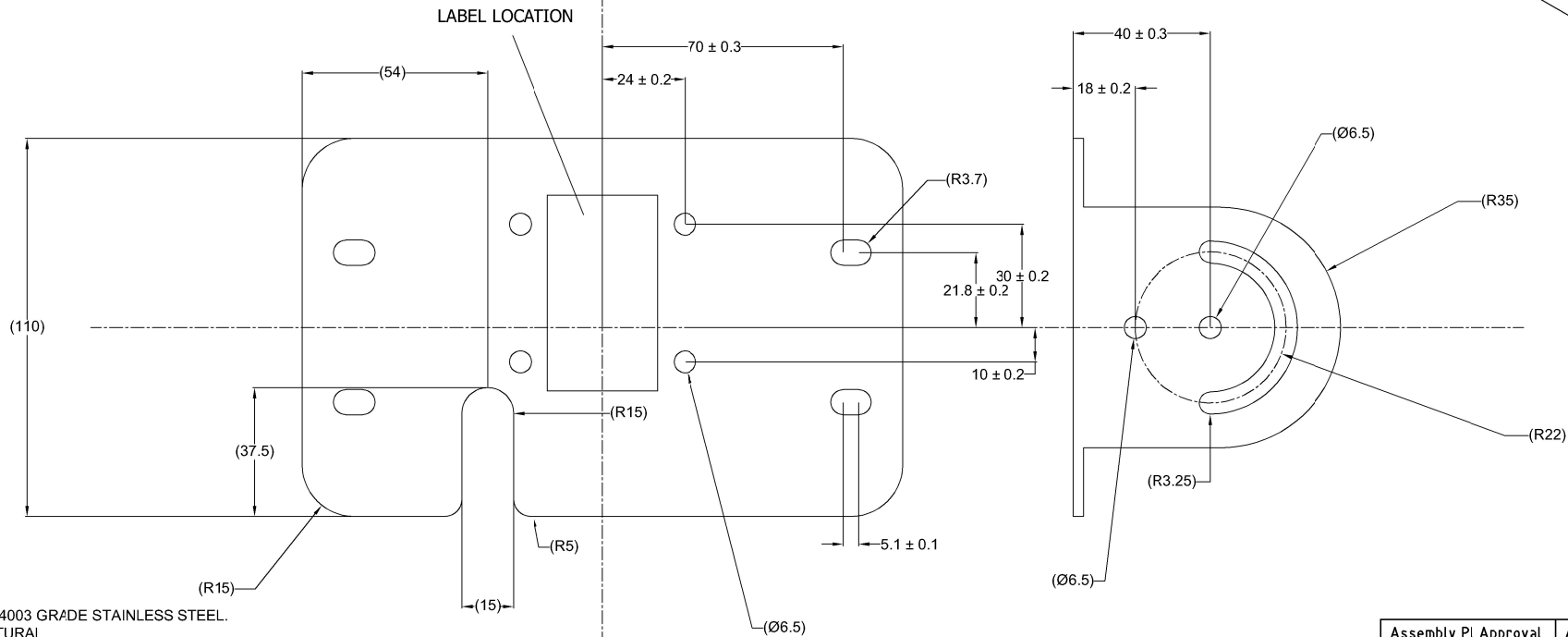
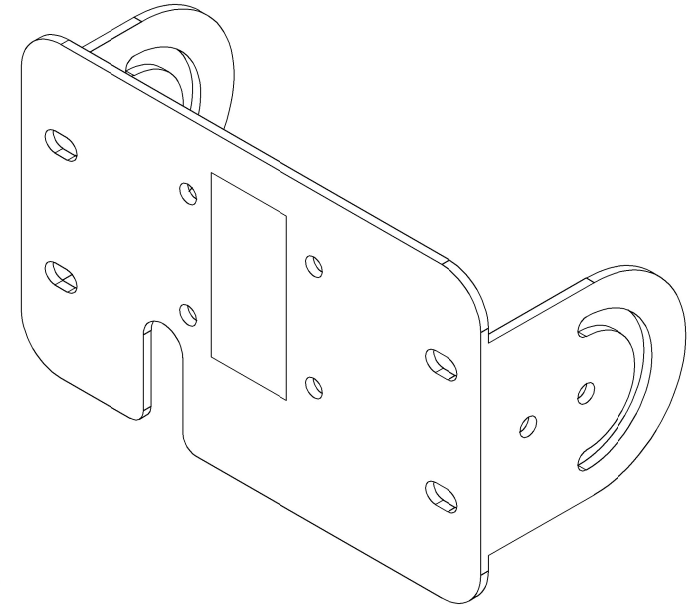
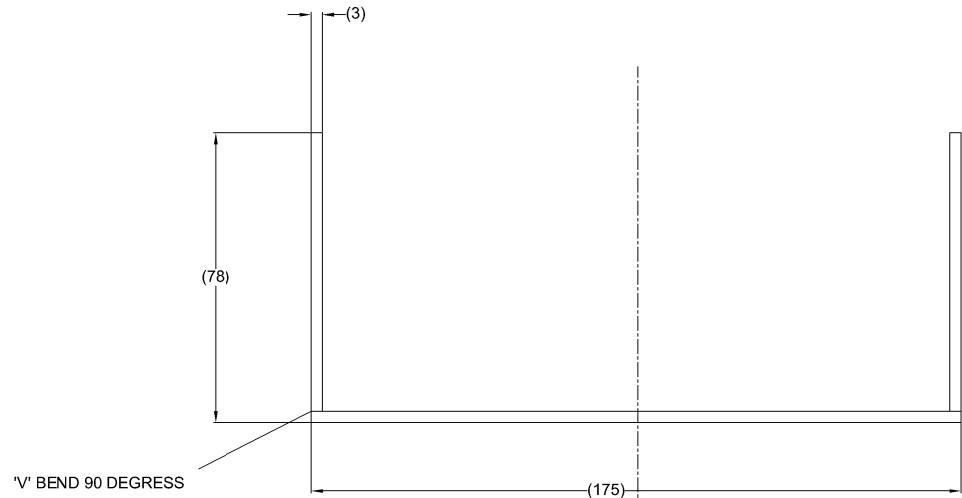


Revision Notes.				
APA:	Drawn:	Checked:	Approved:	Date:



- NOTES:
1. MATERIAL: 4003 GRADE STAINLESS STEEL.
 2. FINISH: NATURAL
 3. OUTER EDGES TO BE DE-BURRED.
 4. BRACKET MANUFACTURED TO MEDIUM TOLERANCE SPECIFICATION AS PER DIN ISO: 2768-1.
 5. FOR DIMENSIONS NOT SHOWN ON THIS DRAWING, PLEASE REFER TO ASSOCIATED 3D MODEL: BKT-023(FP) (7191).STP
 6. FOR LABELING DETAIL REFER TO MASTER BOM.

PROPRIETARY NOTICE
 THIS DESIGN AND TECHNICAL INFORMATION APPEARING ON THIS DRAWING IS THE PROPERTY OF BRIGADE ELECTRONICS, AND IS DISCLOSED IN CONFIDENCE. IT IS NOT TO BE COPIED, REPRODUCED, REVEALED TO OR EXPROPRIATED BY OTHERS, EITHER IN WHOLE OR IN PART WITHOUT THE EXPRESS WRITTEN CONSENT OF BRIGADE ELECTRONICS.

BRIGADE[®]
 www.brigade-electronics.com

Assembly Pl Approval S. CROXALL	Approved by A.KEBEDE	Checked by S. LAWAL	Drawn by S.GOVENDER
Angle of Projection 	Units mm	Scale N/A	Released 26/10/22
	Status RELEASED	Assembly Ref BKT-023(FP)	
	Part No 7191	BE-004631-00-21	